

CLOCK

TROUBLESHOOTING

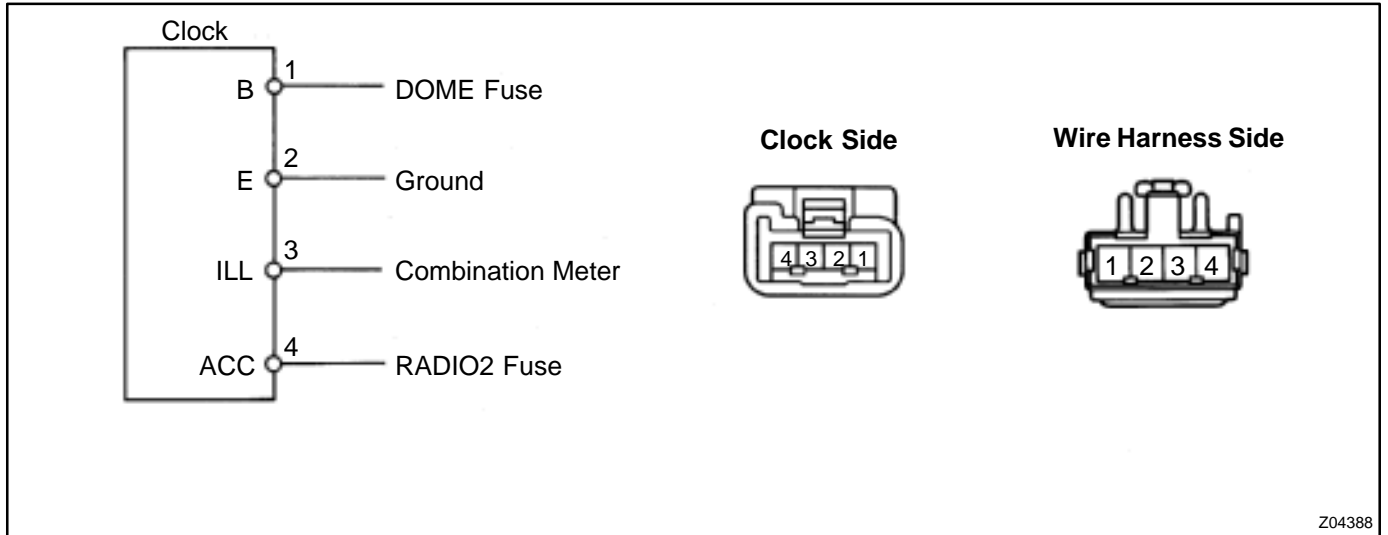
BE1KH-01

HINT:

Troubleshoot the clock according to the table below.

Troubleshooting	No.
Clock will not operate	1
Clock loses or gains time	2

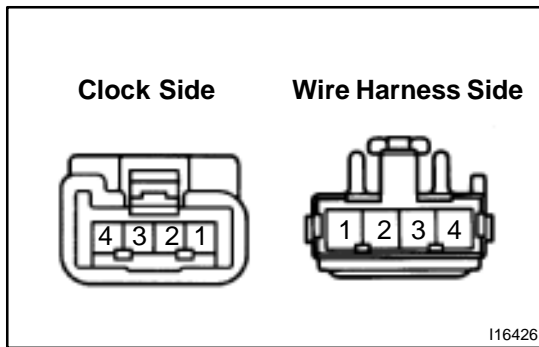
± 1.5 seconds / day



Z04388

1. TROUBLESHOOTING NO.1

1	CLOCK WILL NOT OPERATE
---	-------------------------------



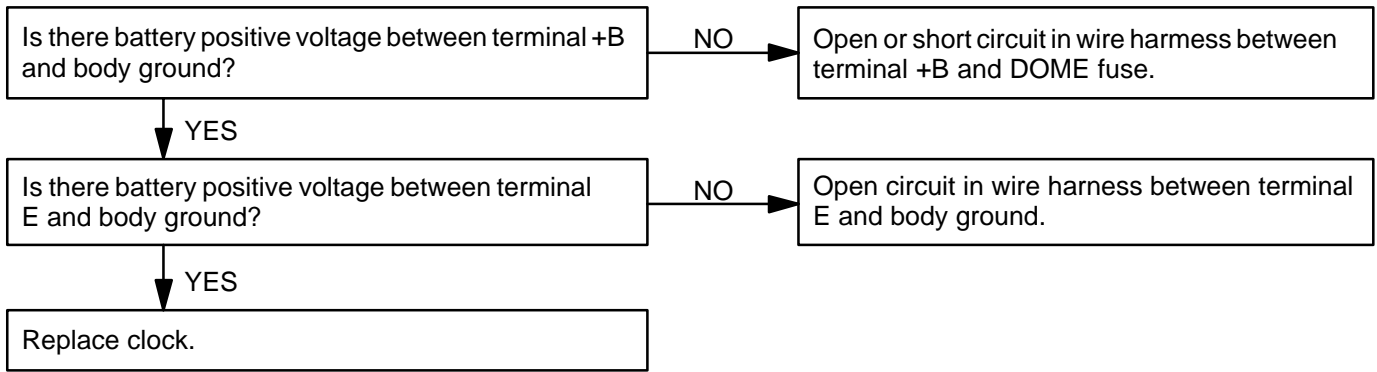
I16426

- (a) Check that the battery positive voltage is 10 – 16 V. If voltage is not as specified, replace the battery.
- (b) Check that the DOME and RADIO2 fuses are not blown. If the fuse is blown, replace the fuse and check for short.
- (c) Troubleshoot the clock as follows.

HINT:

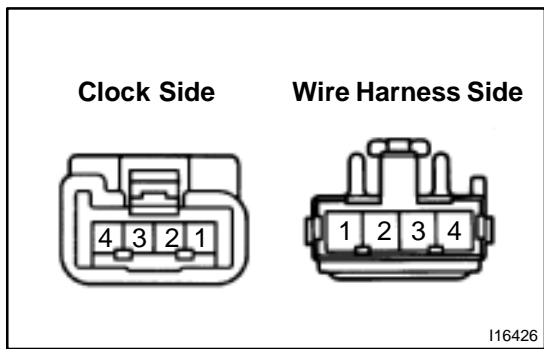
Inspect the connector on the wire harness side.

BODY ELECTRICAL - CLOCK



2. TROUBLESHOOTING NO.2

2	CLOCK LOSES OR GAINS TIME
---	---------------------------



- (a) Check that the battery positive voltage is 10 – 16 V. If voltage is not as specified, replace the battery.
 - (b) Inspect the error of the clock.
Allowable error (per day): ± 1.5 seconds
 If the error exceeds the allowable error, replace the clock.
 - (c) Check that the clock adjusting button is sticking in position and has failed to return.
 If the error exceeds the allowable error, replace the clock.
 - (d) Troubleshoot the clock as follows.
- HINT:
 Inspect the connector on the wire harness side.

